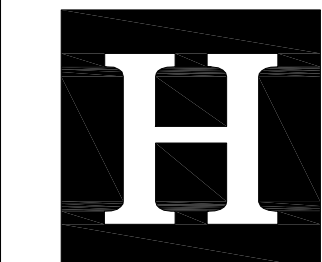
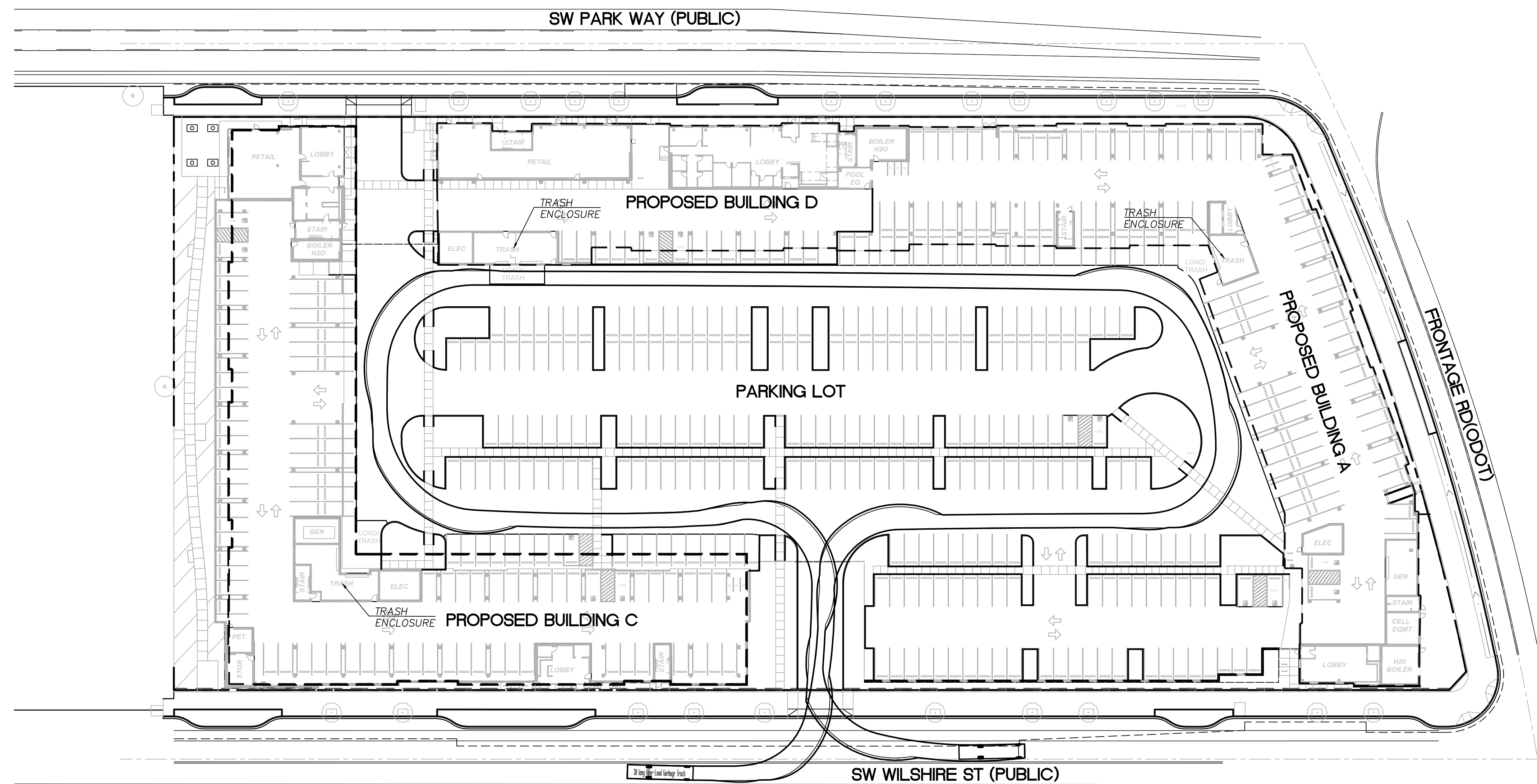


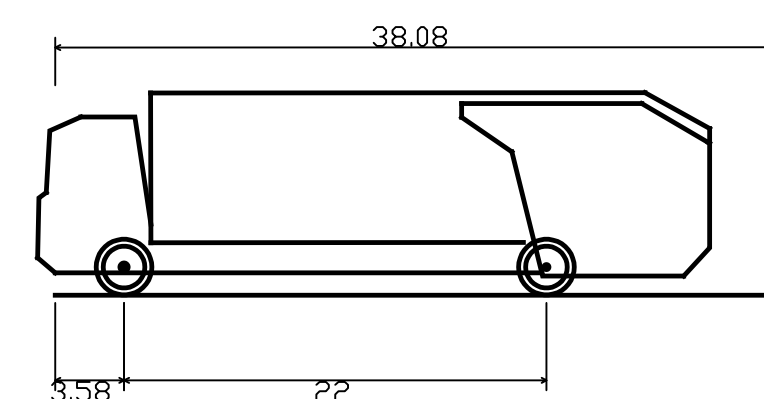
Received
Planning Division
08/21/2024



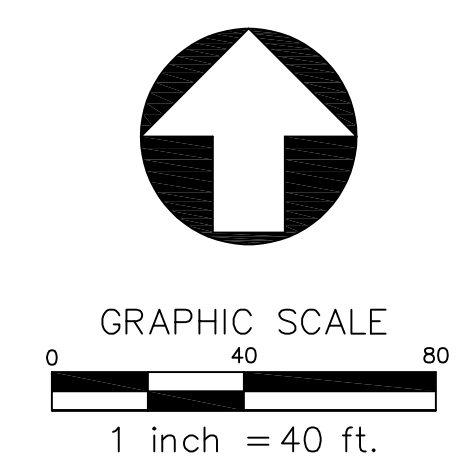
**Humber
Design
Group, Inc.**
Portland, OR
503.946.6690
hdgpd.com



TRASH TURNING EXHIBIT
SCALE: 1"=40'



38 long Rear-Load Garbage Truck	
Overall Length	38.080ft
Overall Width	8.000ft
Overall Body Height	10.546ft
Min Body Ground Clearance	1.000ft
Track Width	8.375ft
Lock-to-lock time	6.00s
Max Steering Angle (Virtual)	27.40°



TRASH TURNING MOVEMENT EXHIBIT

CEDAR HILLS APARTMENTS

REV.	DATE	DESCRIPTION	BY

SHEET NO.